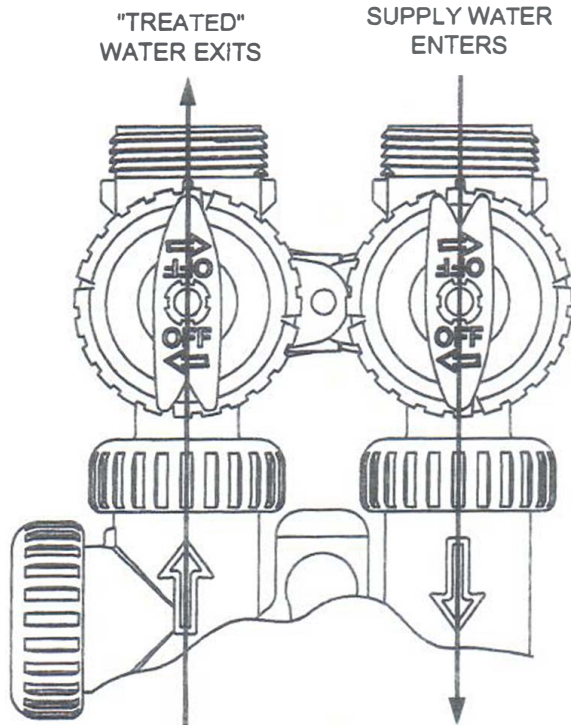
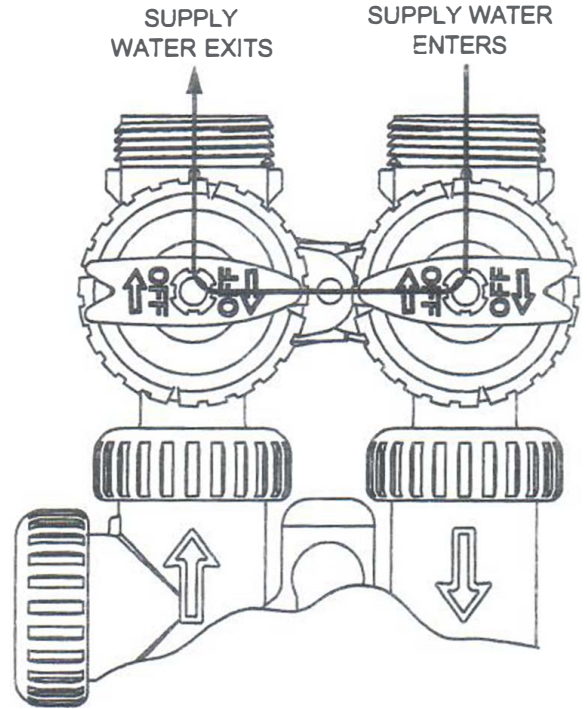


CLACK BYPASS VALVE OPERATION

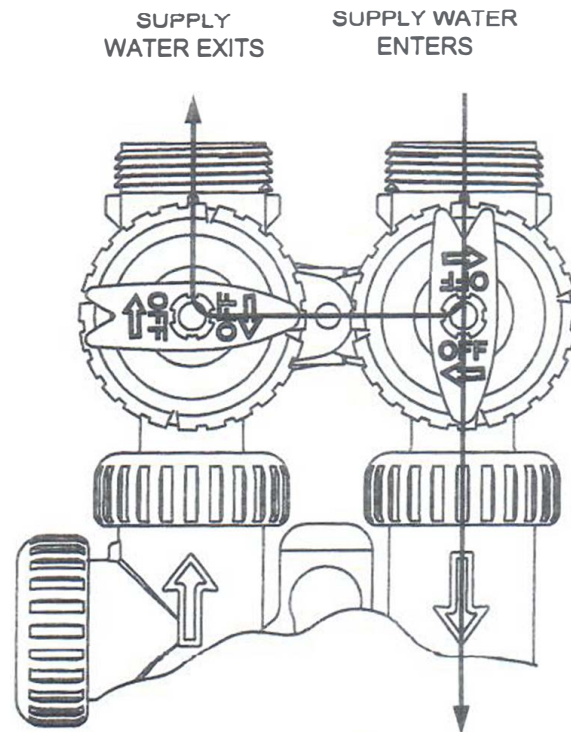
NORMAL OPERATION



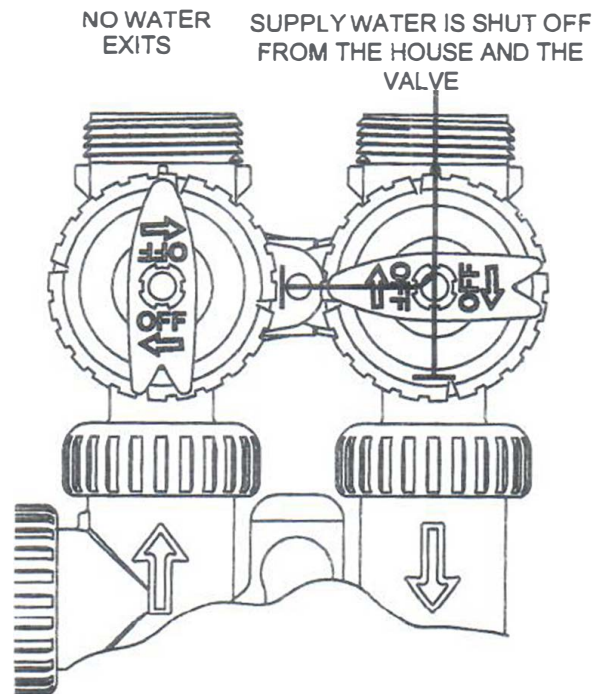
BYPASS OPERATION



DIAGNOSTIC MODE



SHUT OFF MODE



Provided as a courtesy to our customers by:

Muskoka Clean Water

What's in Your Water?

77 Centre St. N. Suite 33 Huntsville, ON P1H 2M3 705-349-2837